



SINCE 1976

SHOWFOU GRINDER PUMPS

Pumps designed to reduce industrial and domestic sewage to fine slurry.

GP type Submersible Grinder Pump

GPQ type Submersible Stainless Grinder Pump

GPQ



GP



標檢局

ISO-9001/CNS12681

SHOWFOU ELECTRIC MACHINE CO., LTD.

CAT NO.:C1007-2

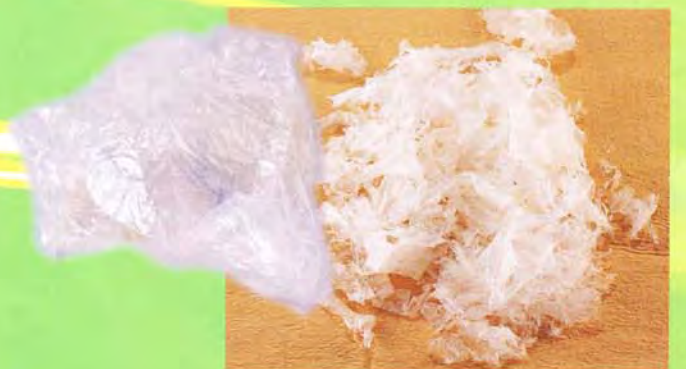
SHOWFOU GRINDER PUMPS

● GP type Submersible Grinder Pump



■ Features:

1. The advanced integrated grinding mechanism particularly well-suited for use with liquids that may contain filaments, plastic bags, long fibers, rubber material etc.
2. The grinding mechanism is composed of a fixed blade and a rotating cutter made by hard Chromium-Molybdenum alloy steel that is highly resistant to the abrasion. There are 27 cutting edges on the fixed part. Then the two poles high torque motor will provide more than 80,000 shredding actions every minutes to perform an optimum shredding performance.
3. The triplex seals- Double mechanical seal plus an oil seal to isolate the motor from the sewage.
4. Unique Epoxy Cable Sealing Base ensures 100% capability to block the water vapor from entering the motor even the cable breaks.
5. Using dual ball bearing on the bottom of the motor to support the axial push.

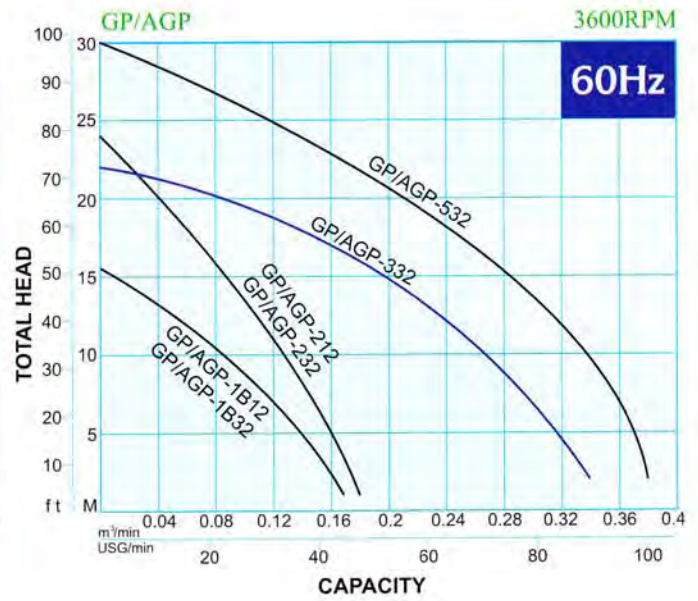
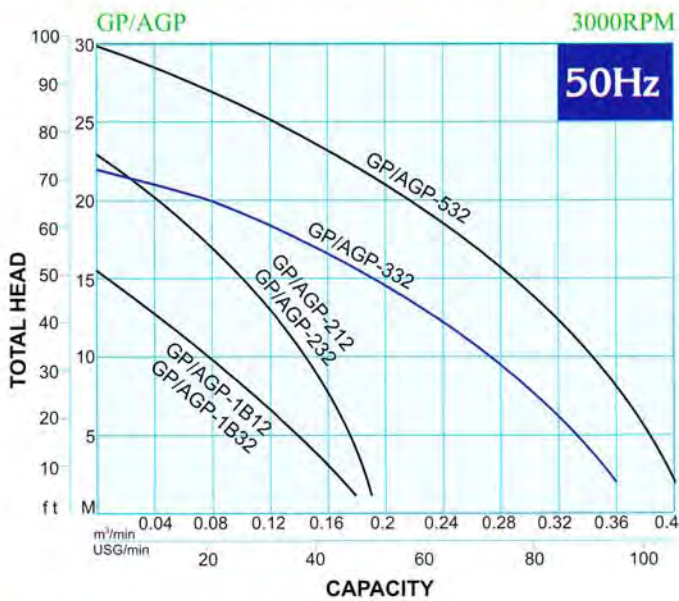


SPECIFICATIONS

頻率	型式		電動機 MOTOR					抽動機 PUMP					葉輪 IMPELLER	電纜		重量			
			馬力	電壓	相數	迴轉數	起動方式	口徑	標準揚程	標準水量	最高揚程	最大水量		NO. of Vanes	Cable		Weight(kg)		
	TYPE	Power	Volt	Phase	SS Revolution	Starting Method	Bore	Total Head	Flow	Max. Head	Max. Flow	mm ² xm			Floor mount	Auto-setter			
50	GP-1B12	AGP-1B12	1.1(1 1/2)	200-240	1	3000	D. O. L	1 1/4"(32)	11.2	0.06	16	0.19	8	3.5 ² X10	31	47			
	GP-1B32	AGP-1B32															200-480	3	3.5 ² X10
	GP-212	AGP-212	1.5 (2)	200-240	1				200-480	3	18	0.06		23	0.2	3.5 ² X10	37	53	
	GP-232	AGP-232																	200-480
	GP-332	AGP-332	2.2 (3)	200-480	3				200-480	3	2"	14		0.2	22	0.38	3.5 ² X10	48	64
	GP-532	AGP-532																	
60	GP-1B12	AGP-1B12	1.1(1 1/2)	200-240	1	3600	D. O. L	1 1/4"(32)	12	0.06	16	0.18	8	3.5 ² X10	31	47			
	GP-1B32	AGP-1B32															200-480	3	3.5 ² X10
	GP-212	AGP-212	1.5 (2)	200-240	1			200-480	3	17	0.06	24		0.19	3.5 ² X10	37	53		
	GP-232	AGP-232																200-480	3
	GP-332	AGP-332	2.2 (3)	200-480	3			200-480	3	2"	14	0.2		22	0.36	3.5 ² X10	48	64	
	GP-532	AGP-532																	200-480

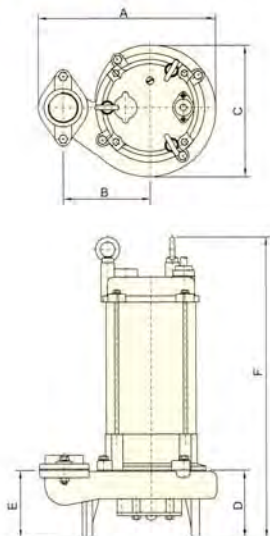
■ GP-FLOOR MOUNT TYPE GRINDER PUMP AGP-AUTO-SETTER TYPE GRINDER PUMP

GP/AGP Type PERFORMANCE CURVE



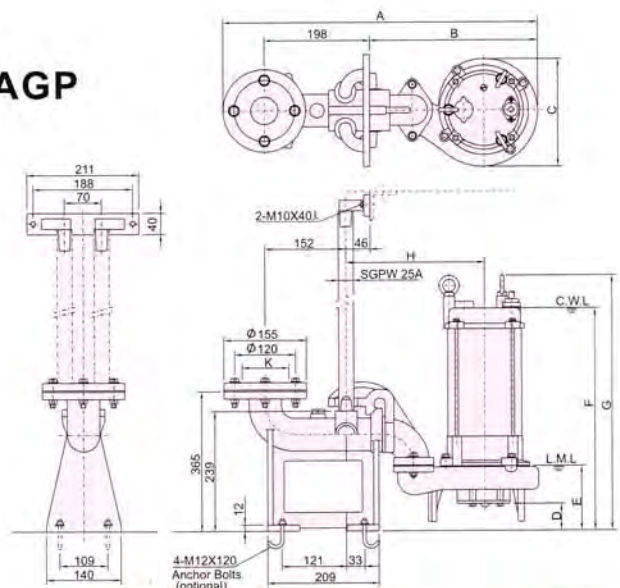
DIMENSIONS

GP



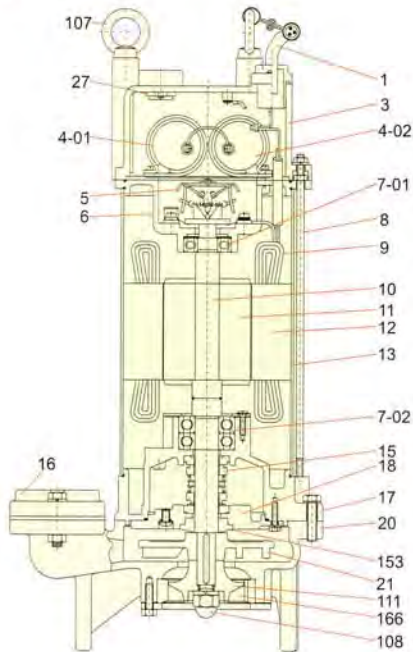
TYPE	A	B	C	D	E	F
GP-1B12	284	139	210	108	108	512
GP-1B32	284	139	210	108	108	459
GP-212	284	139	210	108	108	552
GP-232	284	139	210	108	108	459
GP-332	312	155	234	111	111	513
GP-532	312	155	234	111	111	573

AGP

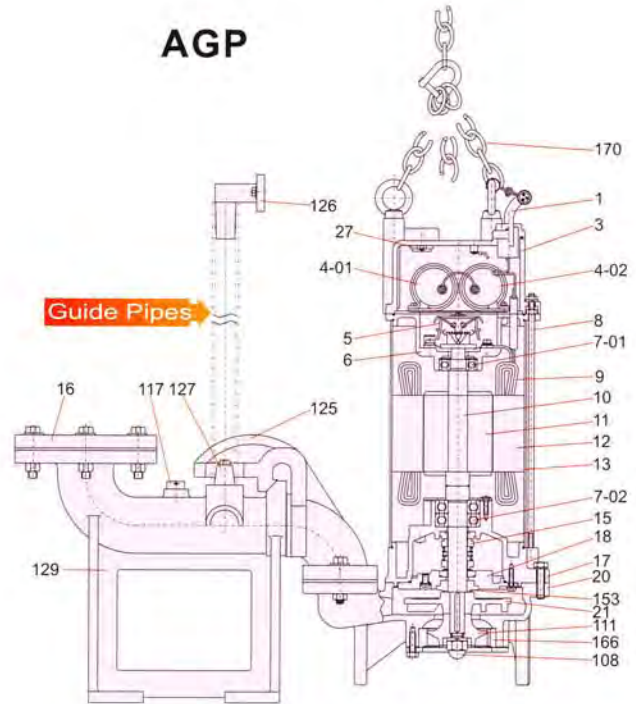


TYPE	A	B	C	D	E	F	G	H	K
AGP-1B12	616	340	210	65	138	522	542	281	Ø32
AGP-1B32	616	340	210	65	138	466	489	281	Ø32
AGP-212	616	340	210	65	138	562	582	281	Ø32
AGP-232	616	340	210	65	138	466	489	281	Ø32
AGP-332	645	369	234	58	138	515	540	297	Ø50
AGP-532	645	369	234	58	138	566	600	297	Ø50

GP



AGP



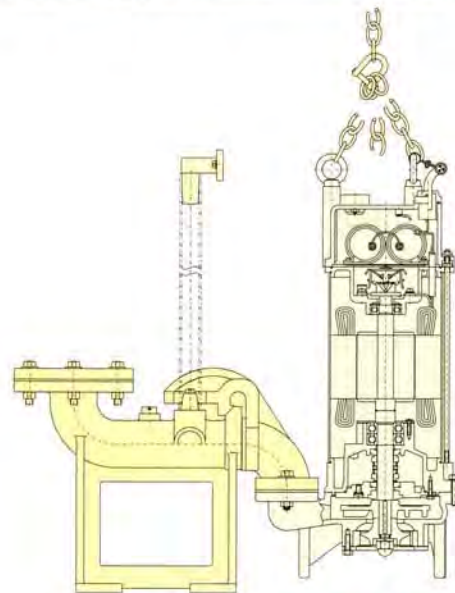
STANDARD ACCESSORIES of TOS model

NO.	NAME OF PARTS	中文名稱	MATERIAL	
			GP	AGP
1	Cable	電纜線	V.C.T.	V.C.T.
3	Motor head cover	馬達上蓋	Cast iron	Cast iron
4-01	Running capacitor	電容器		
4-02	Starting capacitor	電容器		
5	Centrifugal switch	離心開關		
6	Upper bracket	馬達內盤	Cast iron	Cast iron
7-01	Bearing	軸承		
7-02	Bearing	軸承	SUS 304	SUS 304
8	Bolt	長螺絲		
9	Coil	馬達線圈	SUS 304	SUS 304
10	Shaft	主軸		
11	Rotor	轉子	Steel plate	Steel plate
12	Stator	靜子	Steel plate	Steel plate
13	Motor casing	馬達中框	SUS 304	SUS 304
15	Mechanical seal	機械軸封		
16	Flange setter	法蘭途	Cast iron	Cast iron
17	Motor lower cover	馬達下蓋	Cast iron	Cast iron
18	Mechanical seal cover	細日盤	Cast iron	Cast iron
20	Pump casing	水機	Cast iron	Cast iron
21	Impeller	水葉	Cast iron	Cast iron
27	Thermal protector	電流保護開關		
107	Bolt	環首螺栓	Steel	
108	Nut	袋帽	SUS304	SUS304
111	Rotating cutter	切刀	SCM 440	SCM 440
117	Bolt	透氣螺栓		Bronze
125	Guide connector	脫架固定勾		Cast iron
126	Upper guide support	固定桿托架		Cast iron
127	Lower guide support	固定桿托塊		Cast iron
129	Duck foot bend	脫架本座		Cast iron
153	Sand proof trap	防沙帽	NBR	NBR
166	Fixed blade	固定切刀	SCM 440	SCM 440
170	Lifting chain set	鏈條		SUS 304

Part NO.	Description	Discharge bore		Material
		1 1/4" (32mm)	2" (50mm)	
126	Upper guide support 固定桿托架	1.5 kg	1.5 kg	Cast iron
125	Guide connector 脫架固定勾	2.7 kg	2.7 kg	Cast iron
170	Lifting chain with shackle 鏈條組	4 m	4 m	SUS 304
129	Duck foot bend 脫架本座	12 kg	12 kg	Cast iron

the guide pipes are not included in the package of the TOS model.

TYPE	Discharge bore	Designed for
TOS-32	1 1/4" (32mm)	GP-1B12/1B32, GP-212/232
TOS-50	2" (50mm)	GP-332, GP-532



TOS model + GP Type = AGP

Customer can order the TOS model to convert the GP pump into the AGP pump for example:

TOS-32 + GP-1B12 (1 1/4" Bore) = AGP-1B12
 TOS-50 + GP-532 (2" Bore) = AGP-532

SHOWFOU GRINDER PUMPS

● GPQ type Submersible Stainless Grinder Pump



■ Features:

- 1.The powerful integrated grinding mechanism particularly for grinding larger and heavier piece such as the poultry bones at the waste of the restaurant or the untreated sewage with larger hard solid inside.
- 2.The hard stainless steel made grinder and impeller together with the high torque motor perform the optimal grinding performance.
- 3.Special servicing hole situated at the side of the pump casing provide the easy checking and cleaning function during the maintenance.
- 4.The triplex seals- Double mechanical seal plus an oil seal to isolate the motor from the sewage.
- 5.Unique Epoxy Cable Sealing Base ensures 100% capability to block the water vapor from entering the motor even the cable breaks.
- 6.Equipped with a self-reset circle thermal protect or to prevent over-loading, locking of the impeller, and scorch damage to the motor from phase failure.
- 7.Using dual ball bearing on the bottom of the motor to support the axial push.

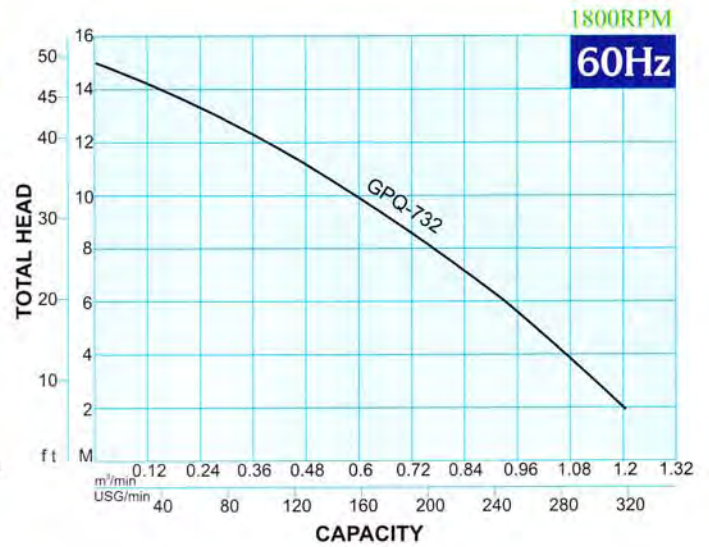
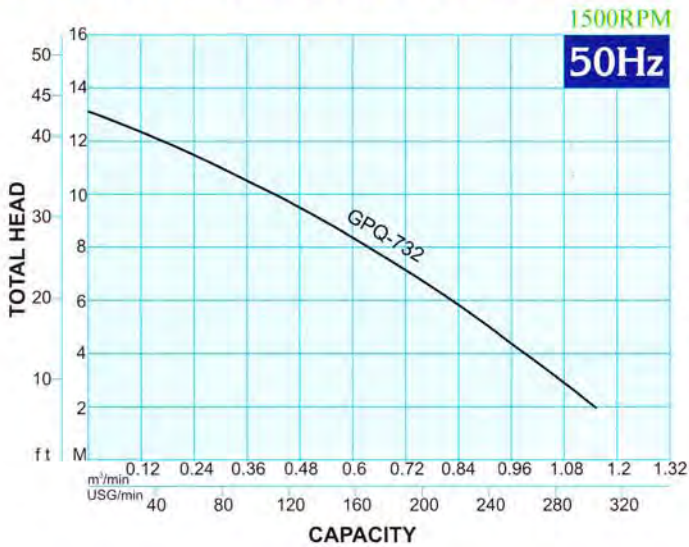


SPECIFICATIONS

頻率	型式	電 動 機 MOTOR					抽 動 機 PUMP					葉 輪 IMPELLER	電 纜	重 量
		馬力 Power	電壓 Volt	相數 Phase	迴轉數 Revolution	起動方式 Starting	口徑 Bore	標準 揚程 Total Head	標準 水量 Flow	最高 揚程 Max. Head	最大 水量 Max. Flow			
Hz	TYPE	Kw(HP)	V	PH	R.P.M	Method	Inch(mm)	M	m ³ /min	Max.	m ³ /min	NO.of Vaness	Cable mm ² xm	Weight Kg
50	GPQ-732	5.5(7 1/2)	200~480	3	1500	D. O. L	3"(80)	9	0.5	13	1.26	6	5.5 ² X10	83.5
60	GPQ-732				1800	D. O. L		11		15	1.3	3		

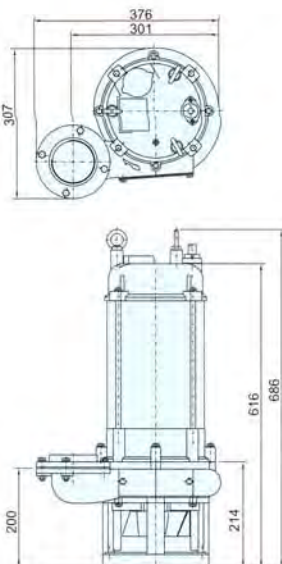
GPQ-FLOOR MOUNT TYPE STAINLESS GRINDER PUMP

PERFORMANCE CURVE



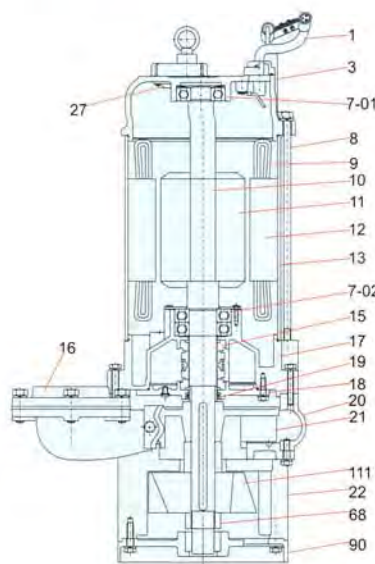
DIMENSIONS

GPQ



CONSTRUCTIONS

GPQ



NO.	NAME OF PARTS	中文名稱	MATERIAL
1	Cable	電纜線	V.C.T
3	Motor head cover	馬達上蓋	SUS 304
7-01	Bearing	軸承	
7-02	Bearing	軸承	
8	Bolt	長螺絲	SUS 304
9	Coil	馬達線圈	
10	Shaft	主軸	SUS 410
11	Rotor	轉子	Steel plate
12	Stator	靜子	Steel plate
13	Motor casing	馬達中框	SUS 304
15	Mechanical seal	機械密封	
16	Flange setter	法蘭套	SUS 304
17	Motor low cover	馬達下蓋	SUS 304
18	Mechanical seal cover	細日盤	SUS 304
19	Oil seal	油封	
20	Pump casing	水機	SUS 304
21	Impeller	水葉	SUS 304
22	Suction cover	吸水盤	SUS 304
27	Thermal protector	電流保護開關	
68	Nut	(公)螺帽	Gun metal
90	Motor base	馬達腳座	SUS 304
111	Cutter	切刀	SUS 304

SHOWFOU ELECTRIC MACHINE CO., LTD.

No. 66, Bengong Road, Gangshan Kaohsiung County 820, Taiwan
 Tel No. : (07) 6226590
 Fax No.: +886-7-6226593
 e-mail: showfou@ms11.hinet.net
 http://www.showfoupump.com.

AGENT

PT. LUKES INDONESIA
 Lindeteves Trade Center Lt UG, Blok B1 No. 6
 Jalan Hayam Wuruk, Jakarta - Indonesia
 Phone : 021 - 6231 7842, 628 5144
 Fax : 021 - 6231 0499
 email : lukes@cbrn.net.id



All specifications subject to change without notice.